

AXovia 160S Ref 1 216 062



Swing gate jack-type motorisation



- Recommended for solid or rigid structure gates.
- Ideal for installations with small quoin in narrow pillars.

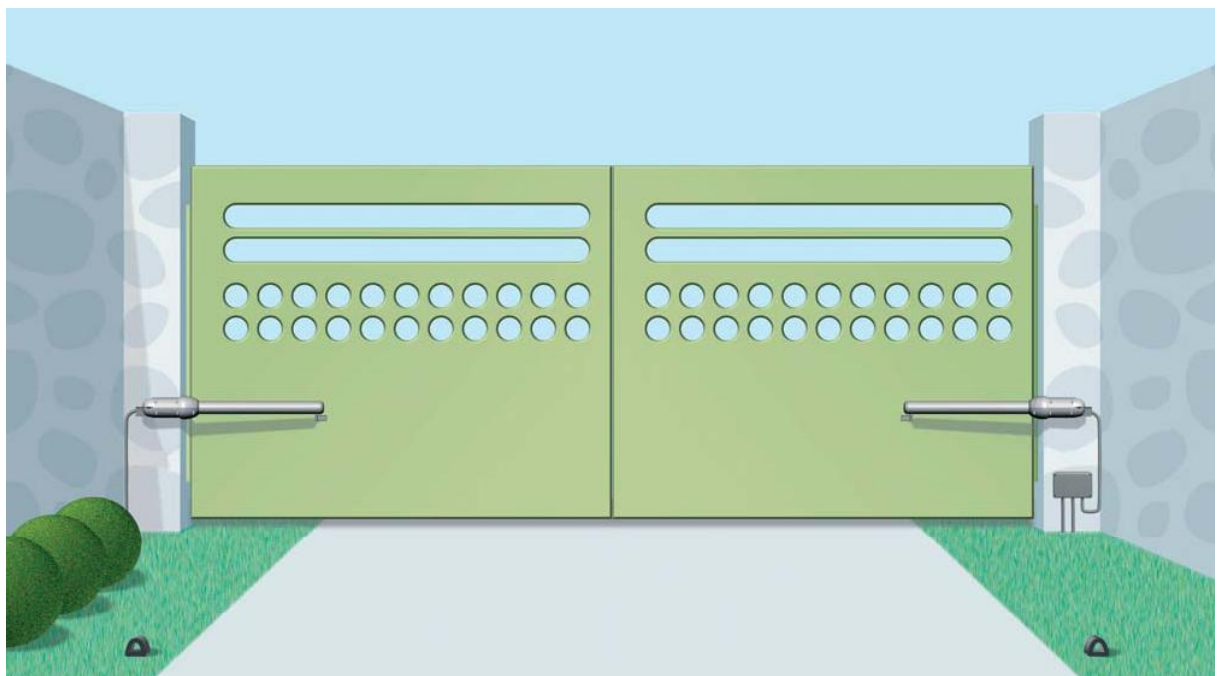
The Axovia 160S programming system eliminates the manual setting of limits. Just point the Keytis remote control on the electronic and press the button.



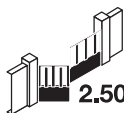
- Automatic adjustment of the motor speed and torque to match gate weight.
- Automatic or sequential mode operation (adjustable time-out for closing movement).
- Total gate opening for vehicles and partial opening for pedestrians.
- Built-in battery charger (with battery option) for protection from power cuts.
- The first cycle permits the electronics to adjust the power to the right setting for opening and closing the gate.
 - obstacle detection is guaranteed throughout the complete gate movement.
 - both gate leaves move at the same time but each leaf can be set to open to a different angle.

PACK CONTENTS

- 2 motors
- 2 half-gate brackets
- 1 electronic control unit with RTS receiver
- 2 Keytis RTS remote control units
- 1 antenna lead
- nuts, bolts, etc. and installation parts
- 1 set of assembly instructions



GATE RADIUS



2.50 m & 250 kg

Max Weight

250 kg

Max Length of each leaf

2,5 m

TECHNICAL CHARACTERISTICS

Motor

Mains power supply	230 V 50/60 Hz
Motor power supply	24 V
Motor power	120 W
Stand-by power consumption	4.5 W
Gate movements per day	20 cycles
Maximum thrust effort for 1.25 m	< 15 kg
Operating temperature	- 20°C / +60°C
Thermal protection	yes
Protection index	IP54
Bi-directional motor	no

Electronics

Number of programmable remote control keys	32
Amber light socket	24 V 15 W flasher
Zone lighting socket	500 W maximum
Accessories power socket	24 Vdc / 200 mA
Back-up battery plug	yes
Photoelectric cell plug	yes (1 or 2)
Dry contact plug	yes



COMPATIBILITY

Keytis range

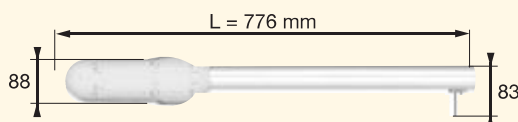


Ref. 1 840 033 Ref. 1 840 036 Ref. 1 840 035 Ref. 1 840 037

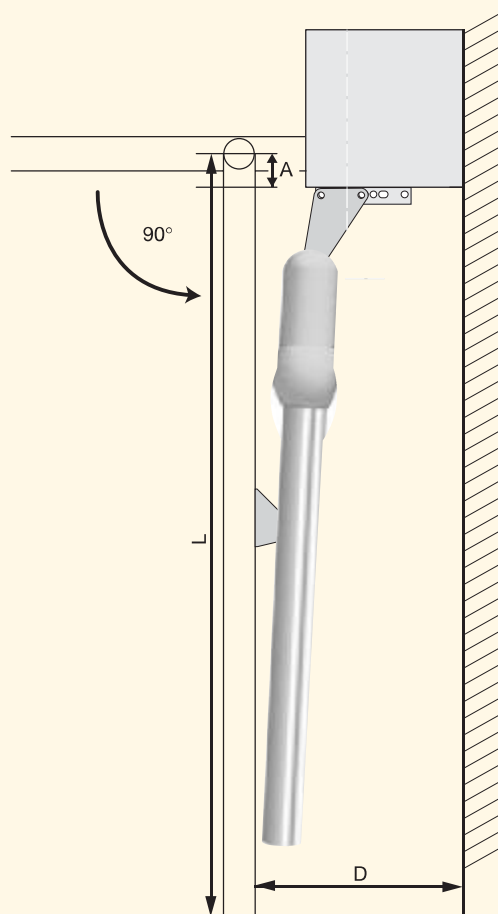


Ref. 1 840 034 Ref. 1 840 032 Ref. 1 840 042 Ref. 1 840 044

DIMENSIONS



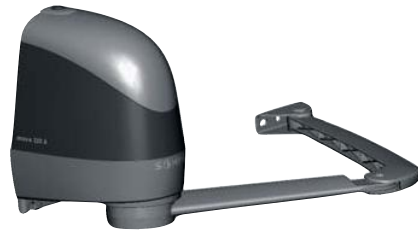
INSTALLATION PLANS



$A = 200 \text{ mm} \cdot D = 300 \text{ mm} \cdot L = 2,50 \text{ m}$
 L must range between 800 and 2500 mm.
 If $L < 1250$ you must use a set of photo-cells.

AXovia 220 A Ref 1 216 012

Swing gate arm-type motorisation



- **This system will fit all swing gates.**
- **Maximum gate protection** due to the natural arm movement which protects the gate and hinges.
- **Ergonomic arm:** rounded shapes to prevent shearing.
- **In the closed position the gate is locked by two different systems.** If someone tries to force the gate, **power is instantly applied and the arm locks at three points.**

The Axovia 220A programming system eliminates the manual setting of limits. Just point the Keytis remote control on the electronic and press the button.



- Automatic adjustment of the motor speed and torque to match gate weight.
- Automatic or sequential mode operation (adjustable closure time-out).
- Total gate opening for vehicles and partial opening for pedestrians.
- Built-in battery charger, (with battery option), for protection from power cuts.
- The first cycle permits the electronics to adjust the power to the right setting for opening and closing the gate.
 - obstacle detection is guaranteed throughout the complete gate movement.
 - both gate leaves move at the same time but each leaf can be set to open to a different angle.

PACK CONTENTS

Pack 1 Ref 1 216 012

- 2 motors
- 2 articulated arms
- 2 leaf brackets
- 1 electronic control system with RTS receiver
- 1 antenna lead
- 2 Keytis RTS remote control units
- nuts, bolts, etc. and installation parts
- 1 set of assembly instructions and drilling template



GATE RADIUS



Max Weight

200 kg

Max Length of each leaf

2 m

TECHNICAL CHARACTERISTICS

Motor

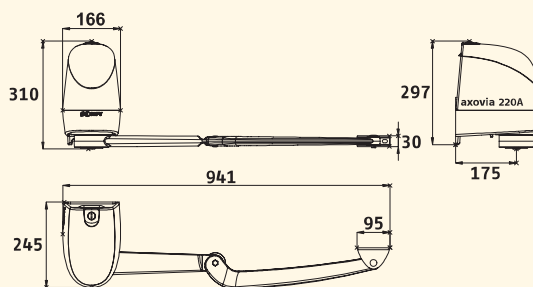
Mains power supply	230 V 50/60 Hz
Motor power supply	24 V
Motor power	120 W
Stand-by power consumption	4.5 W
Gate movements per day	20 cycles
Maximum thrust effort for 1.25 m	< 15 kg
Operating temperature	- 20°C / +60°C
Thermal protection	yes
Protection index	IP54
Bi-directional motor	yes

Electronics

Number of programmable remote control keys	32
Amber light socket	24 V 15 W flasher
Zone lighting socket	500 W maximum
Accessories power socket	24 Vdc / 200 mA
Back-up battery plug	yes
Photoelectric cell plug	yes (1 or 2)
Dry contact plug	yes



DIMENSIONS

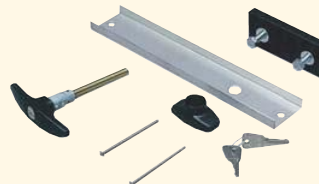


SECURITY PACK Ref 1 215 042

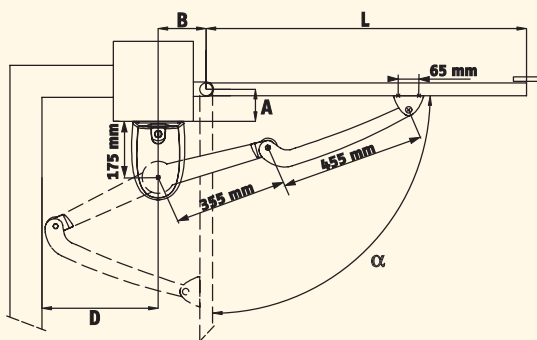
Same as pack 1 + 2 Photoelectric cells
+ 1 Amber light + 1 Battery + 1 Antenna

KEY LOCK OPTIONS

Ref 9 001 008



INSTALLATION PLANS



By safety, $D \geq 405$ mm
L must range between 800 mm and 2000 mm,
if $L < 1250$, you must use a set of photocells.

COMPATIBILITY

Keytis range



Ref. 1 840 033 Ref. 1 840 036 Ref. 1 840 035 Ref. 1 840 037



Ref. 1 840 034 Ref. 1 840 032 Ref. 1 840 042 Ref. 1 840 044

AXovia multi Ref 1 216 068



Swing gate arm-type motorisation



- Universal solution to suit every type of gate installation.

- Maximum gate protection.
- Easy installation, time saving.

- Bracket plates for an easy installation.
- Operating mode: automatic, semi-automatic, immobilised.

- Design of the installation.
- Integrated stoppers: no use to drill the ground.
- Declutching button for manual opening.

PACK CONTENTS

Standard Pack Ref 1 216 068

- 2 motors
- 2 bracket plates
- 2 Keytis RTS remote control units
- 2 articulated arms
- 2 leaf brackets
- 1 AX24 electronic box
- nuts, bolts,... and installation parts

Opening on slope Ref 1 216 067

- 2 motors
- 2 bracket plates
- 2 Keytis RTS remote control units
- 2 specific arms for stop opening
- 2 leaf brackets
- 1 AX24 electronic box
- nuts, bolts,... and installation parts

External opening pack Ref 1 216 065

- 2 motors
- 2 bracket plates
- 2 Keytis RTS remote control units
- 2 specific arms for external opening
- 2 leaf brackets
- 1 AX24 electronic box
- nuts, bolts,... and installation parts

Up to 150° opening pack Ref 1 216 066

- 2 motors
- 2 bracket plates
- 2 Keytis RTS remote control units
- 2 specific arms for 150° opening
- 2 leaf brackets
- 1 AX24 electronic box
- nuts, bolts,... and installation parts



GATE RADIUS



2.50 m & 300 kg

	Leaf weight max.	Leaf length max.
Standard kit	300 kg	2.5 m
Specific kit	200 kg	2 m

TECHNICAL CHARACTERISTICS

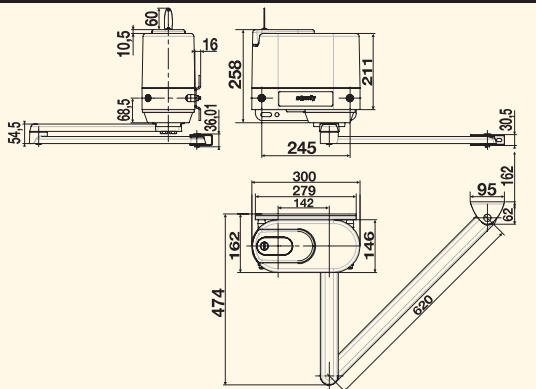
Motor

Motor power supply	24 V DC
Motor power	130 W
Motor torque	305 Nm
Gate movements per day	40 cycles
Maximum thrust effort for 1.25 m	15 kg
Opening speed	15 s. 90°
Operating temperature	-20 °C / 60 °C
Protection index	IP 54
External manual declutching	option
Internal manual declutching	yes
Kit standard weight	14.5 kg

Electronics

Power supply voltage	230 VAC, 50/60 Hz
Max. motor power output AX24	24 V DC, 150 W
Power supply to accessories	24 V DC
Max. current to accessories (cells, keypad, loops, sensor bars, etc...)	1.2 A
Electric latch	24 V, 1.5 A / 12 V, 3 A
Orange light	24 V, 2 x 15 W
Auxiliary output	NO dry contact, 250 V AC, 500 W
Usage class	5
Radio frequency	RTS 433.42 Mhz
Operating temperature	-10 °C to +50 °C

DIMENSIONS



COMPATIBILITY

Keytis range

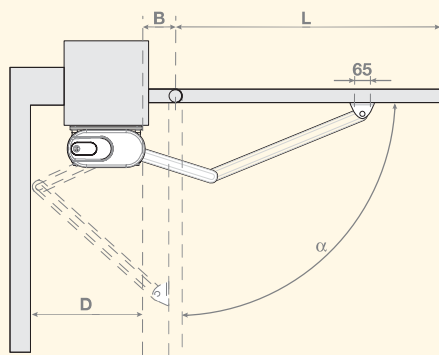


Ref. 1 840 033 Ref. 1 840 036 Ref. 1 840 035 Ref. 1 840 037



Ref. 1 840 034 Ref. 1 840 032 Ref. 1 840 042 Ref. 1 840 044

INSTALLATION PLANS



D ≥ 1500 mm
L must range between 800 mm and 2500 mm.
 If **L** < 1250 mm you must use a set of photo-cells.

AXovia 400 C Ref 1 215 036

Sliding gate motorisation



- **Exclusive !** With the Axovia 400C **obstacle detection is guaranteed throughout the gate movement.** This means that photoelectric cells are simply optional.
- **Compact and quiet for discretion.**
- **Fast opening in just a few seconds.**
- **The first cycle permits the electronics to adjust the power to the right setting for opening and closing the gate.**

- Adjustable motor speed and torque to match gate weight.
- Total gate opening for vehicles and partial opening for pedestrians.
- Automatic or sequential mode operation (adjustable closure time-out).

PACK CONTENTS

Pack 1 without rack Ref 1 216 005

- 1 motor
- 1 electronic control system with RTS receiver
- 2 Keytis RTS remote control units
- guide pins
- cable ducting sleeve
- 1 instruction leaflet
- 1 drilling template

Rack Ref 1 780 607

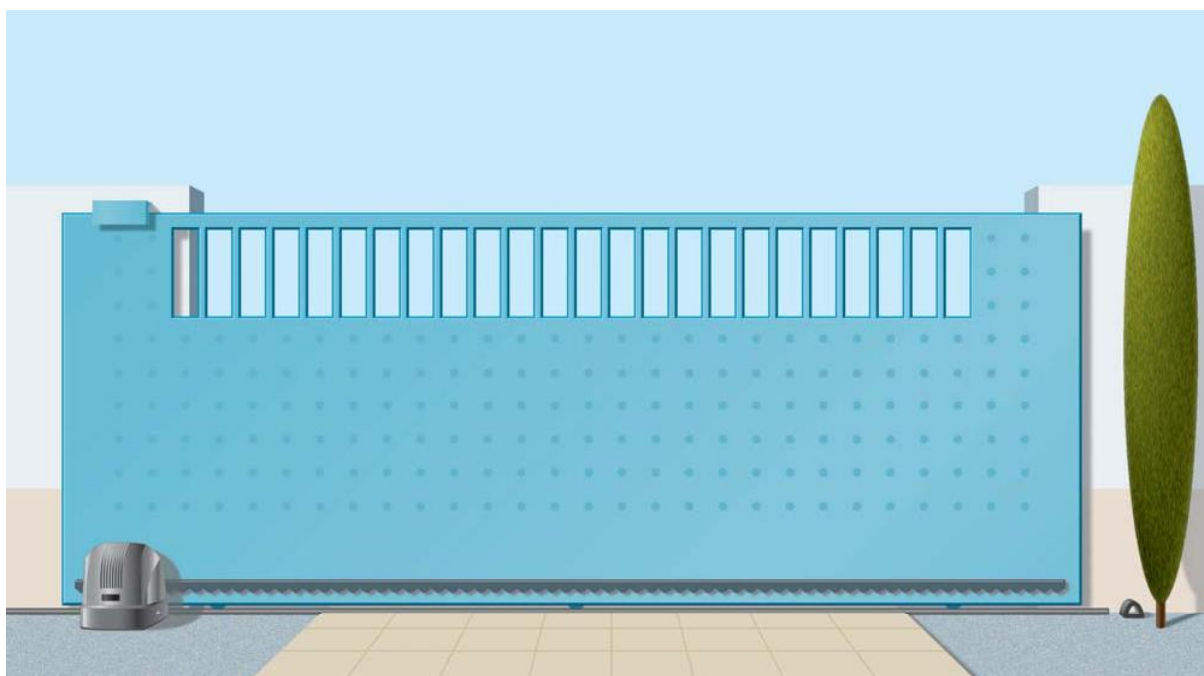
- 4 x 1.00 m of nylon rack with internal metal armature, low-level attachment

Pack 2 with rack Ref 1 215 036

Same as Pack 1 +

- 12 x 33 cms of rack

- **Additional 33 cm Rack Ref 1 780 272**



GATE TRAVEL

Max Weight

400 kg

Max Length

8 m

TECHNICAL CHARACTERISTICS

Motor

Mains power supply	230 V 50/60 Hz
Motor power supply	24 V
Motor power	120 W
Stand-by power consumption	4.5 W
Gate movements per day	20 cycles
Maximum thrust effort	< 15 kg
Operating temperature	- 20°C / +60°C
Thermal protection	yes
Protection index	IP54
Rack	4.16 tooth gear

Electronics

Number of programmable remote control keys	32
Amber light socket	24 V 15 W flasher
Zone lighting socket	500 W maximum
Accessories power socket	24 Vdc / 200 mA
Back-up battery plug	yes
Photoelectric cell plug	yes (1 or 2)
Dry contact plug	yes

COMPATIBILITY

Keytis range

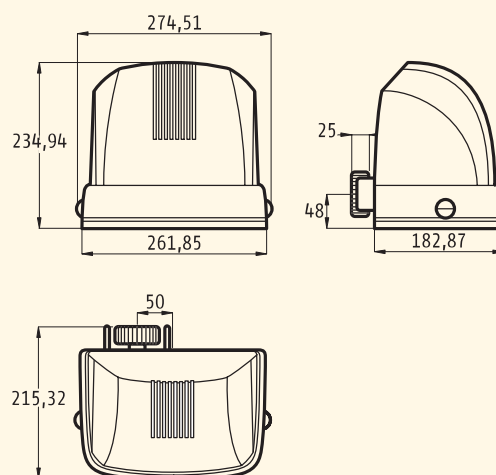


Ref. 1 840 033 Ref. 1 840 036 Ref. 1 840 035 Ref. 1 840 037

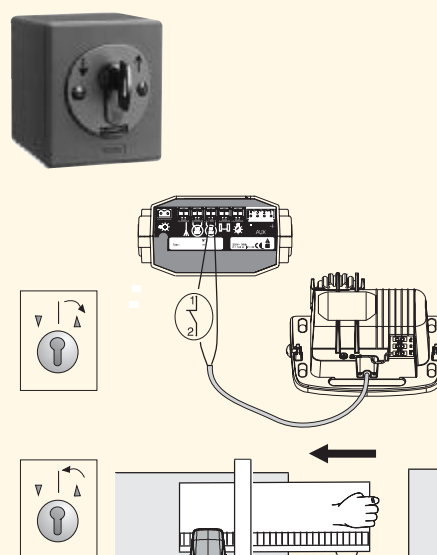


Ref. 1 840 034 Ref. 1 840 032 Ref. 1 840 042 Ref. 1 840 044

DIMENSIONS



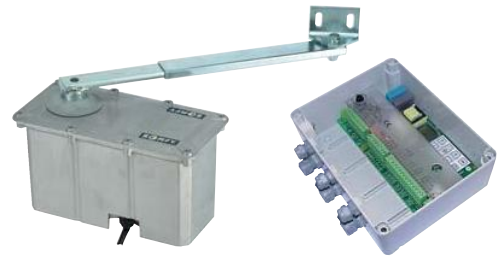
KEY LOCK OPTIONS



Electro-mechanical locking system
Ref 1 800 070

AXovia 180 B Ref 1 215 027

Embedded swing gate motorisation



- These gate openers conserve the appearance of the gate.
- They can be used in the toughest places and with all pillar widths.

- Can open gates inwards and outwards.

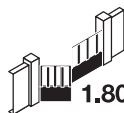
- Adjustable motor speed and torque to match gate weight.
- Automatic or sequential mode operation (adjustable closure time-out).
- Total gate opening for vehicles and partial opening for pedestrians.
- Built-in battery charger, (with battery option), for protection from power cuts.
- The first cycle permits the electronics to adjust the power to the right setting for opening and closing the gate.
 - obstacle detection is guaranteed throughout the complete gate movement.
 - both gate leaves move at the same time but each leaf can be set to open to a different angle.

PACK CONTENTS

- 2 motors / 2 telescopic arms
- 2 Keytis RTS remote control units
- 1 antenna
- 1 electric lock
- 1 self-locking bolt
- 1 Ax24 electronic box



GATE RADIUS



1.80 m & 200 kg

Max Weight	200 kg	Max Length of each leaf	1,80 m
-------------------	--------	--------------------------------	--------

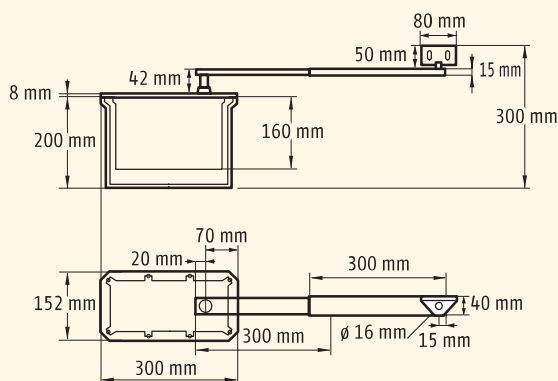
TECHNICAL CHARACTERISTICS

Power supply voltage	230 VAC, 50/60 Hz
Max. motor power output	24 V DC, 150 W
Power supply to accessories	24 V DC
Max. current to accessories (cells, keypad, loops, sensor bars, etc...)	1.2 A
Electric latch	24 V, 1.5 A / 12 V, 3 A
Orange light	24 V, 2 x 15 W
Usage class	5
Radio frequency	RTS 433.42 Mhz
Operating temperature	-10 °C to +50 °C

Electronics

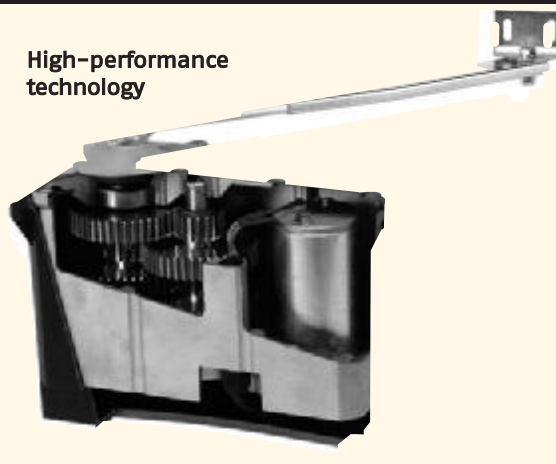
Power supply voltage	230 VAC, 50/60 Hz
Max. motor power output AX24	24 V DC, 150 W
Power supply to accessories	24 V DC
Max. current to accessories (cells, keypad, loops, sensor bars, etc...)	1.2 A
Electric latch	24 V, 1.5 A / 12 V, 3 A
Orange light	24 V, 2 x 15 W
Auxiliary output	NO dry contact, 250 V AC, 500 W
Usage class	5
Radio frequency	RTS 433.42 Mhz
Operating temperature	-10 °C to +50 °C

DIMENSIONS



CROSS-SECTION OF MOTOR

High-performance technology



COMPATIBILITY

Keytis range



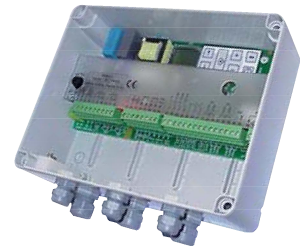
Ref. 1 840 033 Ref. 1 840 036 Ref. 1 840 035 Ref. 1 840 037



Ref. 1 840 034 Ref. 1 840 032 Ref. 1 840 042 Ref. 1 840 044

AX 24 Ref 1 841 013

Electronic operator for swing gates



■ Control units for customised installation.

■ The AX24 control system provide personalised and ultra-precise settings for all installation parameters.

Setting via a digital display:

- Simplified programming system using a digital display which scrolls through the adjustable parameters.

Complete and accurate configuration of the installation:

- Operating mode: automatic, semi-automatic, immobilised, etc.
- Speed and torque of each motor.
- Time delay and time lags on the doors on opening and closure.
- Slow speed on opening and closure.
- Time delay before closure.
- Period of illumination in the door clearance area.
- Pedestrian open position.
- Limit switches.

For greater security, the AX24 control cabinet is equipped with a self-test function for the security accessories.

Information feedback:

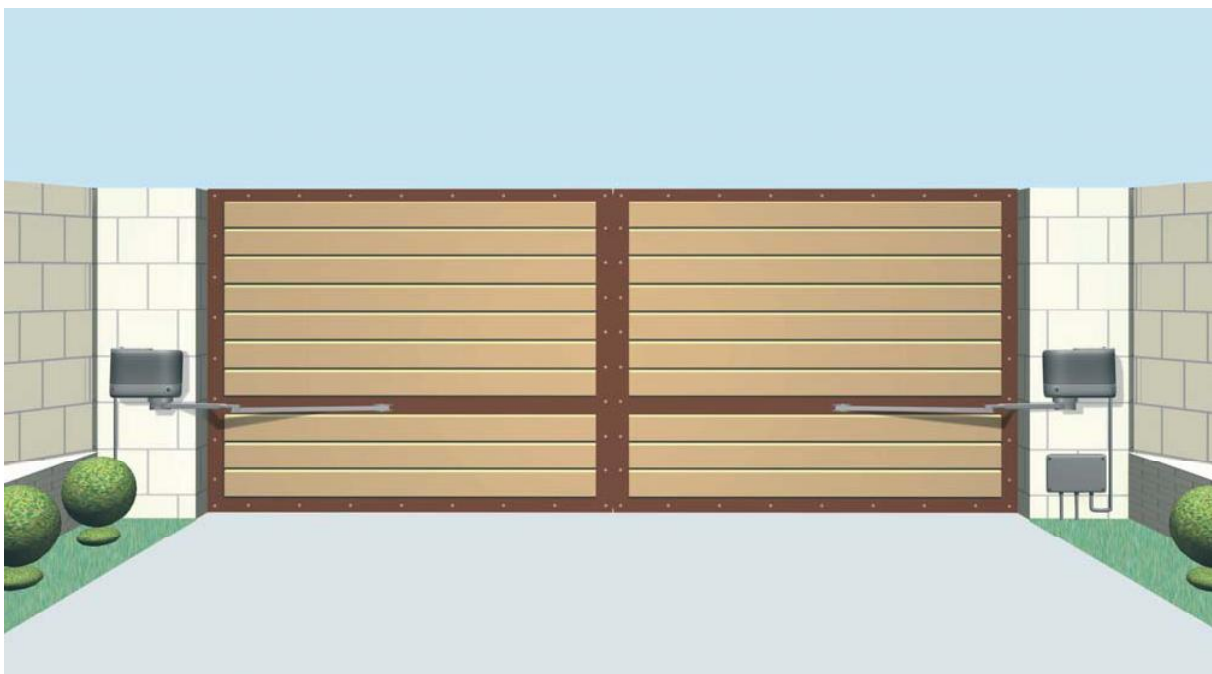
- Feedback of information, on the digital display, of the last 10 reported faults in order to assist with troubleshooting directly on the installation.

Emergency operation:

- Optional backup battery capable of performing up to 10 opening/closure cycles within a period of 24 hours (variable according to the type of gate available as an option).

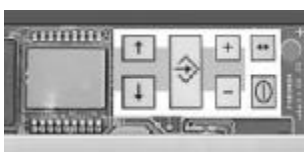
Suitable for use in individual houses or apartment blocks:

- The AX24 cabinet is equally suitable for individual houses, by installing Axovia 220A or Axovia 180B motorisations, and in apartment blocks by installing the Axovia 250A motorisation.

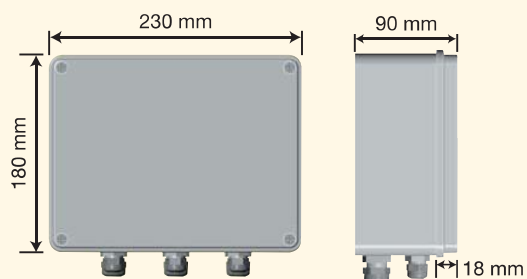


TECHNICAL CHARACTERISTICS

Power supply voltage	230 VAC, 50/60 Hz
Max. motor power output AX24	24 V DC, 150 W
Power supply to accessories	24 V DC
Max. current to accessories (cells, keypad, loops, sensor bars, etc...)	1.2 A
Electric latch	24 V, 1.5 A / 12 V, 3 A
Orange light	24 V, 2 x 15 W
Auxiliary output	NO dry contact, 250 V AC, 500 W
Usage class	5
Radio frequency	RTS 433.42 Mhz
Operating temperature	-10 °C to +50 °C



DIMENSIONS



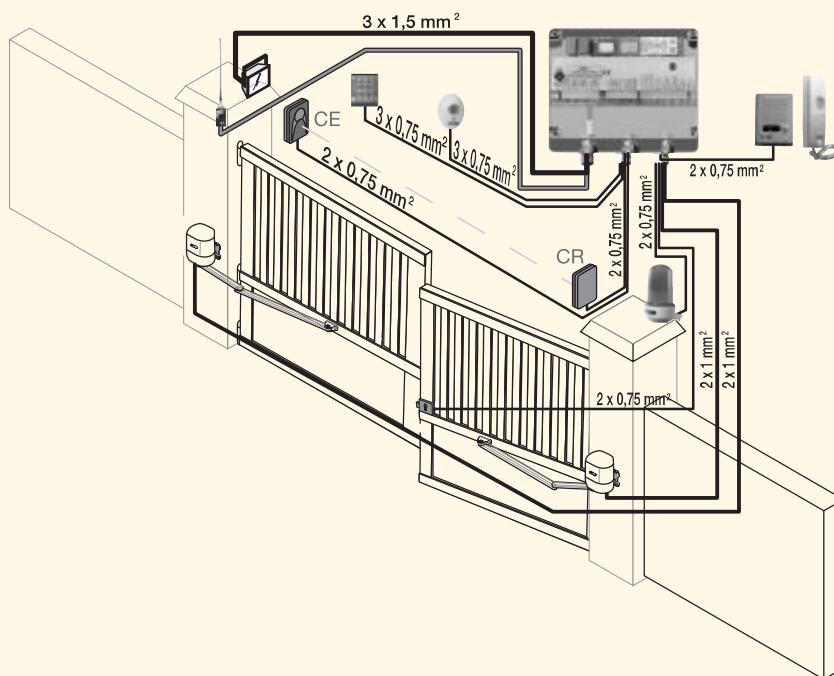
COMPATIBILITY

Keytis range



Ref. 1 840 033 Ref. 1 840 036 Ref. 1 840 035 Ref. 1 840 037 Ref. 1 840 034 Ref. 1 840 032 Ref. 1 840 042 Ref. 1 840 044

INSTALLATION PLANS



Control accessories

Transmitters Keytis 4 RTS

In addition to the standard anthracite version, there is now a choice of 5 colours for the whole family. Holder for walls and car dashboards.



TECHNICAL CHARACTERISTICS KEYTIS 4

Number of channels	4
Power supply	12 Vdc
Battery type	L 1028
Battery life	12 to 18 months
RTS frequency	433.42 MHz
Operating temperature	-20 °C / + 60 °C
Dimensions	83 x 48 x 16 mm
Weight	40 g

Keytis 4 RTS	References
Standard	Ref 1 840 033
Wood	Ref 1 840 032
Orange	Ref 1 840 034
Red	Ref 1 840 035
Blue	Ref 1 840 036
Green	Ref 1 840 037
Remote control unit + holder	Ref 1 840 042

Transmitters Keytis 2 RTS



TECHNICAL CHARACTERISTICS KEYTIS 2 RTS

Number of channels	2
Power supply	12 Vdc
Battery type	L 1028
Battery life	12 to 18 months
RTS frequency	433.42 MHz
Dimensions	83 x 30 x 17 mm
Weight	26 g
Operating temperature	-20 °C / + 60 °C

Keytis 2 RTS *	Reference
Aluminium	Ref 1 840 044